

rail development group

85 Vantage Point Drive  
Rochester, NY 14624

Office 585.352.6868 Fax 585.352.2020  
Customer Service 877.734.7245

## SC-100 Switch Circuit Controller



### Specifications

Contact Rating:	10 Amps
Contact Type:	Force- Break, Non-Welding
Contact Configuration:	Form-C or Front-Back
Temperature Range:	-40 C to +85 C
Point Opening	3" to 6"

### Description

The SC-100 is an evolutionary leap in switch circuit controller design. Built on proven technology such as the M23 point detector rod and components familiar to signal personnel the SC-100 is reliable, simple to install and efficient to maintain.

By utilizing our **between tie** configuration the SC-100 can be mounted on any short head ties in three configurations; top of tie, below tie or attached to the rail. Regardless of the configuration chosen, the SC-100 eliminates the need to install long ties. This feature alone is estimated to save at least \$2,000 per PTS required installation.

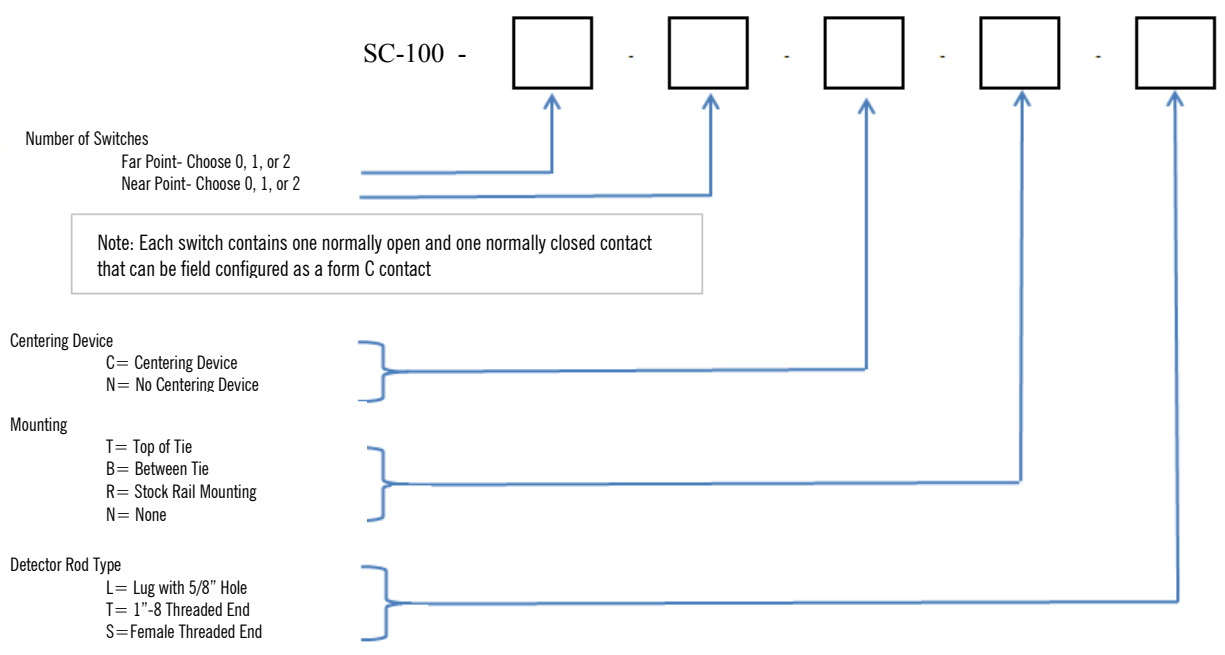
Not only is the SC-100 simple and efficient to install it is also field configurable with supplied jumpers to allow both "Form-C" and "Front-Back" applications configuration.

By leveraging the M23 point detector rod the SC-100 prevents contacts from opening or closing due to switch point pumping.

Planning a PTC implementation or just looking for a better switch circuit controller, the SC-100 is the answer.

- Rugged Design
- Universal Mounting
- Proven Design
- Reliable
- Cost Effective
- Easy Installation
- Easy to Adjust
- Patent Pending

# Ordering Information



Denotes an SC-100 Circuit controller with 2 near point switches, 2 far point switches, no centering device, plates for top of tie mounting, and a PD rod with a 5/8" lug hole.

EXAMPLE: SC100-2-2-N-T-L

Point Lugs, Connecting Rods and Drop Lugs should be purchased separately.

